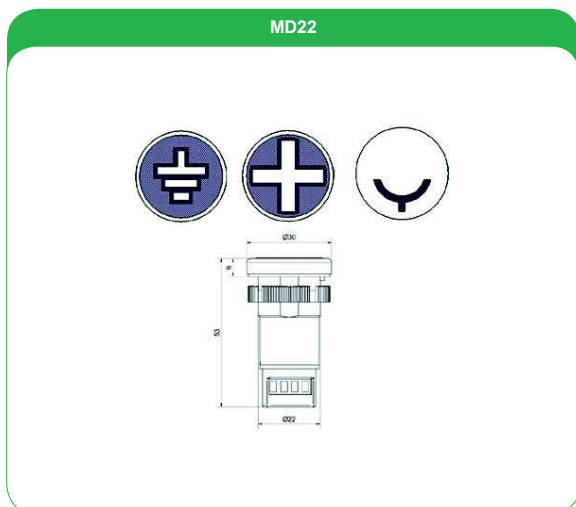
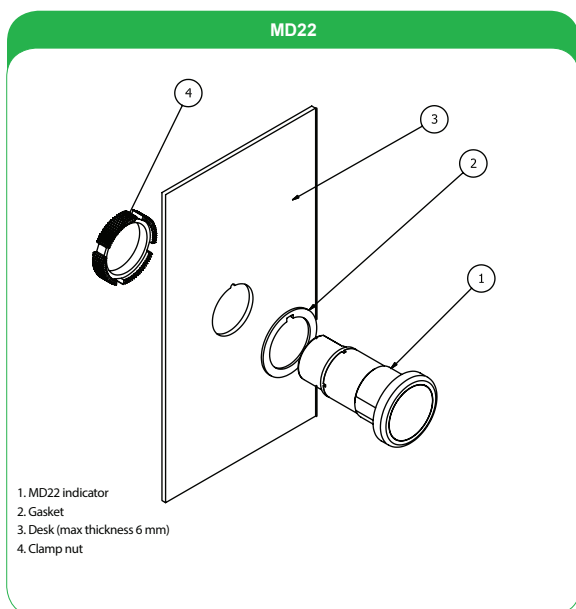


## 3b.4 OVERALL DIMENSIONS

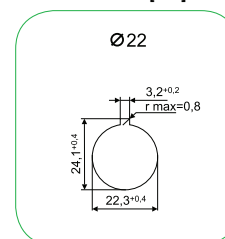


## 3b.5 ASSEMBLY



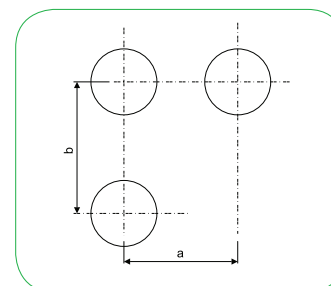
## 3b.6 ASSEMBLY HOLES

Dimensions [mm]



## ASSEMBLY IN GROUPS

Min. distances [mm]



Assembly hole	a (mm)	b (mm)	Type of indicator
Ø 22	40	40	MD22

## 3c BUZZERS NEF30 SERIES

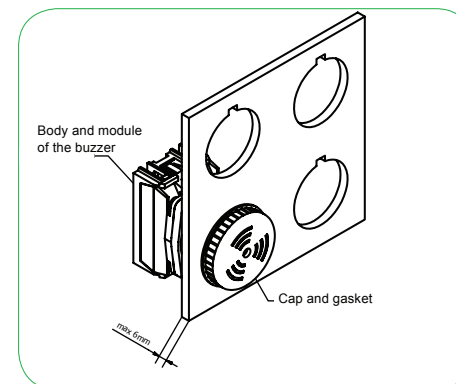
NEW!

## Purpose

The buzzers NEF30 are intended for building in standardized Ø30.5mm holes – drilled in various types of control and signal equipment, or directly into bodies of machines and equipment. Buzzers are produced in two versions: with continuous sound (NEF30-BUZZ) and with intermittent, pulse sound (NEF30-BIP). Likewise lamps and indicators of NEF30 series, the buzzers work under any voltage within the 24-230V AC/DC range.

## Construction

The buzzer is comprised of the following elements:  
- The part located over the desk, also referred to as the sound generator,  
- The part located under the desk that includes the intermediate body and the switching element.



## 3c.1 TECHNICAL DATA

Insulation rated voltage (U)	250 V
Rated voltage (U <sub>r</sub> )	24÷230V AC/DC
Sound volume level	80 <sup>+10</sup> dB (from 10 cm distance)
Frequency	3,7 kHz
Protection class - Section over the desk - Section under the desk	IP30 IP20
Maximum thickness of desk	6 mm
Ambient temperature for a particular design	-15°...+30°C
Thermal power max	2W
Cross-sections of terminals	1x or 2x LY 0,75-1,5mm <sup>2</sup> 1x or 2x DY 1-1,5mm <sup>2</sup>

The product conforms to the following standard PN-EN 60947-5-1

## 3c.2 TYPES OF BUZZERS



Type	Designation	Colour	Rated voltage	Dimensions (mm)
Buzzer with intermittent, pulse sound Sound volume level 80dB IP30	NEF30-BIP	●	24-230V AC/DC	



Buzzer with continuous sound Sound volume level 80dB IP30	NEF30-BUZZ	●	24-230V AC/DC	
---	------------	---	---------------	--

## 3c.3 ASSEMBLY

## • Assembly of buzzers NEF30-BIP and NEF30-BUZZ

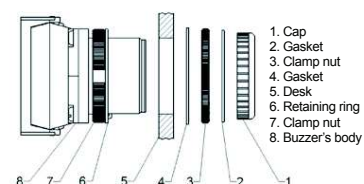
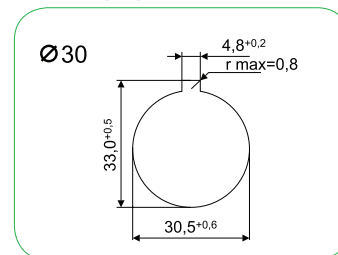


Fig. 1  
Installation of the NEF30 buzzer

Put the buzzer's body (8) with the clamp nut (7) and the retaining ring (6) into the assembly hole under the desk (5). Then, install the wider gasket (4), screw on the flat nut (3), apply another gasket (2), and screw on the cap (1). Finally, screw on the clamp nut (7) under the desk (fig.1).

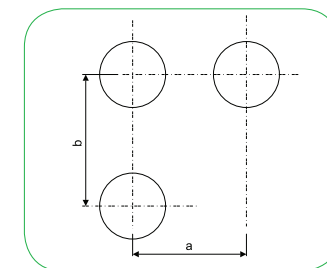
## 3c.4 ASSEMBLY HOLES

Dimensions [mm]



## • ASSEMBLY IN GROUPS

Min. distances [mm]



Assembly hole	a (mm)	b (mm)	Type of indicator
Ø 30	50	65	NEF30-BIP NEF30-BUZZ